

PRODUCT NO.
72477-WXY1
72477-WXY1LF

STANDARD LATCH

SHORT LATCH

COVER LATCH SIDE

OPTIONAL CODING KEYS

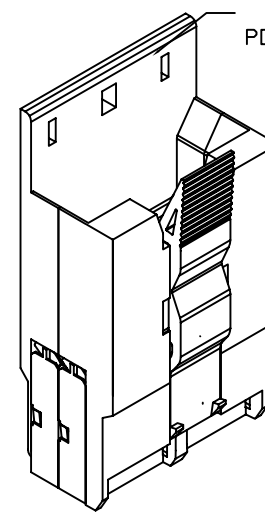
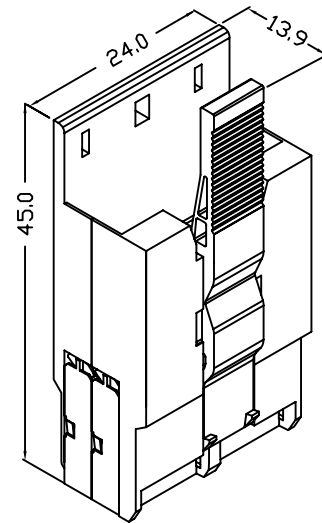
CONNECTOR SUB-ASSEMBLY

COVER NON-LATCH SIDE

PRODUCT NO.
72477-W1Y1

PRODUCT NO.
72477-W2Y1

CABLE TIE POSITION



STANDARD LATCH FINGER FOR CABLE TIE BELOW LATCH FINGER AND EASIEST ACCESS TO LATCH FINGER

SHORT LATCH FINGER FOR CABLE TIE ABOVE LATCH FINGER AND LARGER CABLE SIZE CAPACITY

mat'l. code				surface		tolerance		projection	product family	
SEE NOTES				ASME Y14.5		ASME Y14.5			METRAL CABLE	
ltr	ec'n no	dr	date	tolerances unless otherwise specified		tolerances unless otherwise specified			title	
A	V71561	JRV	11/5/97	angles	mm	X #3		MM	4X12 UNSHIELDED CABLE CONNECTOR KIT	
B	V12695	EPK	11/14/01			XX #18				
C	V05-0599	VS	09/08/05	0' ±2'		XXX #051		scale 1:1		
D	V06-0613	JRV	2006-06-22	dr	J.VOLSTROF	11/5/97			sheet 1 of 3 size	
				engr	J.VOLSTROF	11/5/97			72477	
				chr	J.VOLSTROF	11/5/97			A4	
				appd	J.VOLSTROF	11/5/97			CUSTOMER Drawing	
sheet index	revision sheet	D	D	D						
		1	2	3						

PRODUCT NO.
72477-WXY1

NOTES:

1. SEE APPLICATION SPECIFICATION GS-20-002 FOR INSTRUCTIONS ON WIRE INSERTION AND ASSEMBLY OF COMPONENTS FOR CONNECTORS.
2. PLUGS INTO STANDARD METRAL 4-ROW HEADERS AND SHROUDS.
3. MAXIMUM CABLE DIAMETER
STANDARD LATCH = 6.0mm
SHORT LATCH = 9.0mm
* THE USE OF MULTIPLE CABLES OR THE STRIPPING OF THE CABLE JACKET WILL ALLOW THE USER TO OVERCOME SOME RESTRICTIONS.
4. THE PRODUCTS WHERE THE PART NUMBERS END IN LF MEET THE EUROPEAN UNION DIRECTIVES AND OTHER COUNTRY REGULATIONS AS DESCRIBED IN GS-22-008.
5. THESE PRODUCTS LISTED ON THIS DRAWING WILL NOT WITHSTAND WAVE SOLDER OR REFLOW OPERATIONS.
6. FOR LEADFREE PART NUMBERS, ADD AN 'LF' SUFFIX. EXAMPLE: 72477-WXY1LF

ORDERING INFORMATION FOR KITS AND PARTS
EACH KIT (CONNECTOR) CONSISTS OF:
2 CONNECTOR SUB-ASSEMBLIES
1 COVER, NON-LATCH SIDE
1 COVER, LATCH SIDE
1 LATCH FINGER

ORDER KITS 72477-WXY1 WHERE

PLATING ON CONTACT AREA.

- W=1 FOR 0.8 um GOLD
- W=2 FOR 2.0 um GOLD
- W=3 FOR 1.3 um GOLD
- W=9 FOR 0.8 um GXT

LATCH FINGER SIZE

- X=1 FOR STANDARD LATCH FINGER
- X=2 FOR SHORT LATCH FINGER

COPPER WIRE SIZE

- Y=1 FOR 26 TO 24 GAGE
- Y=2 FOR 30 TO 28 GAGE

MATERIAL

INSULATORS, COVERS AND KEYS
GLASS FILLED 612 POLYAMIDE (UL 94 V-0)
LATCH FINGERS
POLYETHERIMIDE (UL 94 V-0)
CONTACTS
PHOSPHOR BRONZE
SnPb FINISH ON IDC DIMPLES

OPTIONAL CODING KEYS

PART NUMBER 72388-OAA1
18 VARIETIES AA = 01 TO 18
USE IN CONJUNCTIONS WITH HEADER CODING KEYS 70274-001 KEYS 1 TO 18 RESPECTIVELY

COMPONENT PART NUMBERS AND INFORMATION

CONNECTOR SUBASSEMBLY
PART NUMBER 72394-W2Y1
* 2 REQUIRED PER CONNECTOR
PLATING ON CONTACT AREA.
W=1 FOR 0.8 um GOLD
W=2 FOR 2.0 um GOLD
W=3 FOR 1.3 um GOLD
W=9 FOR 0.8 um GXT
COPPER WIRE SIZE
Y=1 FOR 26 TO 24 GAGE
Y=2 FOR 30 TO 28 GAGE

COVER, LATCH SIDE COVER, NON-LATCH SIDE
PART NUMBER 72513-0021 PART NUMBER 72513-0011
SHORT LATCH FINGER STANDARD LATCH FINGER
PART NUMBER 72389-0011 PART NUMBER 70289-001

mat'l. code		surface		tolerance		projection		product family	
SEE NOTES		ASME Y14.5		ASME Y14.5				METRAL CABLE	
ltr	ecn no	dr	date	tolerances unless otherwise specified		MM		title	
d				angles	X #3	MM		4X12 UNSHIELDED CABLE CONNECTOR KIT	
				0° ±2'	.XX ±.B	scale 1:1		dwg no	
					.XXX ±.051			sheet 2 of 3	
		dr	J.VOLSTROF		11/5/97			size	
		engr	J.VOLSTROF		11/5/97			A4	
		chr	J.VOLSTROF		11/5/97			72477	
		appd	J.VOLSTROF		11/5/97			type	
sheet index		revision sheet						CUSTOMER Drawing	

PRODUCT NO.
72477-WXY1LF

SEE NOTE 6

ORDERING INFORMATION FOR KITS AND PARTS
EACH KIT (CONNECTOR) CONSISTS OF:
2 CONNECTOR SUB-ASSEMBLIES
1 COVER, NON-LATCH SIDE
1 COVER, LATCH SIDE
1 LATCH FINGER

ORDER KITS 72477-WXY1LF WHERE

PLATING ON CONTACT AREA.

- W=1 FOR 0.8 um GOLD
- W=2 FOR 2.0 um GOLD
- W=3 FOR 1.3 um GOLD
- W=9 FOR 0.8 um GXT

LATCH FINGER SIZE

- X=1 FOR STANDARD LATCH FINGER
- X=2 FOR SHORT LATCH FINGER

COPPER WIRE SIZE

- Y=1 FOR 26 TO 24 GAGE
- Y=2 FOR 30 TO 28 GAGE

MATERIAL

INSULATORS, COVERS AND KEYS

GLASS FILLED 612 POLYAMIDE (UL 94 V-0)

LATCH FINGERS

POLYETHERIMIDE (UL 94 V-0)

CONTACTS

PHOSPHOR BRONZE

SN SOLDER FINISH ON IDC DIMPLES (LEAD FREE)

OPTIONAL CODING KEYS

PART NUMBER 72388-OAA1LF

18 VARIETIES AA = 01 TO 18

USE IN CONJUNCTIONS WITH HEADER CODING

KEYS 70274-001 KEYS 1 TO 18 RESPECTIVELY

COMPONENT PART NUMBERS AND INFORMATION

CONNECTOR SUBASSEMBLY

PART NUMBER 72394-W2Y1LF

* 2 REQUIRED PER CONNECTOR

PLATING ON CONTACT AREA.

- W=1 FOR 0.8 um GOLD
- W=2 FOR 2.0 um GOLD
- W=3 FOR 1.3 um GOLD
- W=9 FOR 0.8 um GXT

COPPER WIRE SIZE

- Y=1 FOR 26 TO 24 GAGE
- Y=2 FOR 30 TO 28 GAGE

COVER, LATCH SIDE

PART NUMBER 72513-0021LF

COVER, NON-LATCH SIDE

PART NUMBER 72513-0011LF

SHORT LATCH FINGER

PART NUMBER 72389-0011LF

STANDARD LATCH FINGER

PART NUMBER 70289-001LF

mat'l. code				surface		tolerance		projection		product family	
SEE NOTES				ASME Y14.5		ASME Y14.5				METRAL CABLE	
ltr	ecr no	dr	date	tolerances unless otherwise specified						title	
d				angles	leg	X #3		MM		4X12 UNSHIELDED CABLE CONNECTOR KIT	
				0' ±2'		.XX ±.B		scale 1:1		dwg no	
				dr	J.VOLSTROF	11/5/97				sheet 3 of 3 size	
				engr	J.VOLSTROF	11/5/97				72477 A4	
				chr	J.VOLSTROF	11/5/97				type	
				appd	J.VOLSTROF	11/5/97				CUSTOMER Drawing	
sheet	revision										
index	sheet										